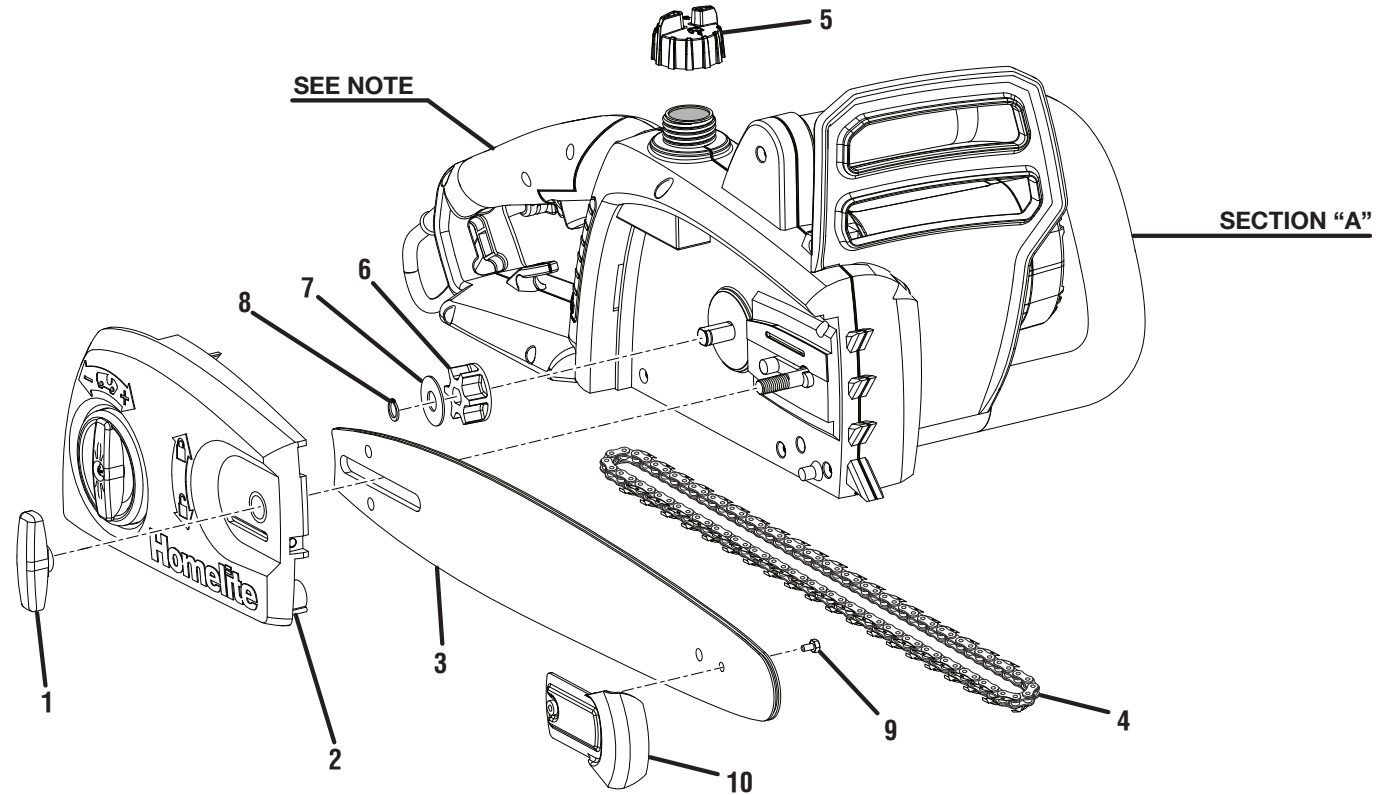


**HOMELITE  
ELECTRIC CHAIN SAW  
MODEL NOS. UT43100 AND UT43120  
ALL VERSIONS  
REPAIR SHEET**

**HOMELITE CHAIN SAW – MODEL NUMBERS UT43100 AND UT43120 – ALL VERSIONS**



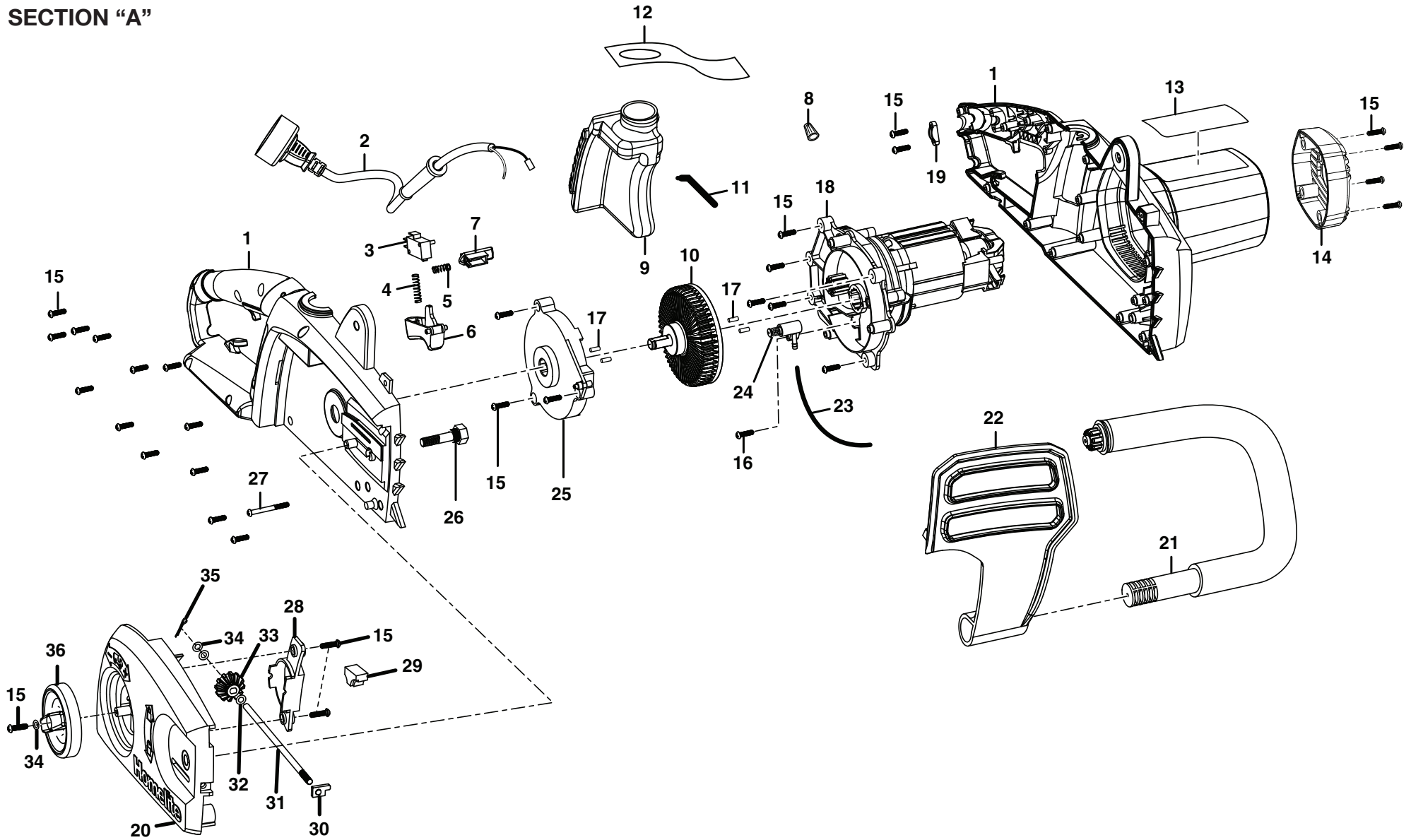
**PARTS LIST**

| KEY NO. | PART NUMBER | DESCRIPTION   | QTY | KEY NO. | PART NUMBER | DESCRIPTION                                       | QTY |
|---------|-------------|---|-----|---------|-------------|---|-----|
| 1       | 34114154G   | Chain Cover Lock Knob.....                                    | 1   | 6       | 33902102G   | Sprocket.....                                     | 1   |
| 2       | 31105154G   | Chain Cover Assembly.....                                     | 1   | 7       | 33302102G   | Washer.....                                       | 1   |
| 3       | 310625001   | Guide Bar<br>(UT43100/UT43100A – 14 in. with SAFE-T-TIP)..... | 1   | 8       | 32901154G   | Retaining Ring.....                               | 1   |
|         | 310626001   | (UT43120/UT43120A – 16 in. with SAFE-T-TIP).....              | 1   | 9       | 660640001   | Screw w/Washer.....                               | 1   |
| 4       | 901212001   | Chain (UT43100/UT43100A – .375 x 52 link, 14 in.).....        | 1   | 10      | 308949001   | SAFE-T-TIP.....                                   | 1   |
|         | 901212002   | Chain (UT43120/UT43120A – .375 x 56 link, 16 in.).....        | 1   |         | 34148154G   | Scabbard (Not Shown, UT43120/UT43120A only).....  | 1   |
| 5       | 34109154G   | Oil Reservoir Cap.....  | 1   |         | 31201154G   | Soft Case (Not Shown, UT43120/UT43120A only)..... | 1   |

**NOTE:** The assembly shown represents an important part of the Double Insulated System. To avoid the possibility of alteration or damage to the system, service should be performed by your nearest Homelite authorized service dealer.

HOMELITE CHAIN SAW - MODEL NUMBERS UT43100 AND UT43120 - ALL VERSIONS

SECTION "A"



Section "A" represents an important part of the double insulated system of this tool. Any repair to this tool requires dielectric testing to insure customer safety and to comply with company requirements.

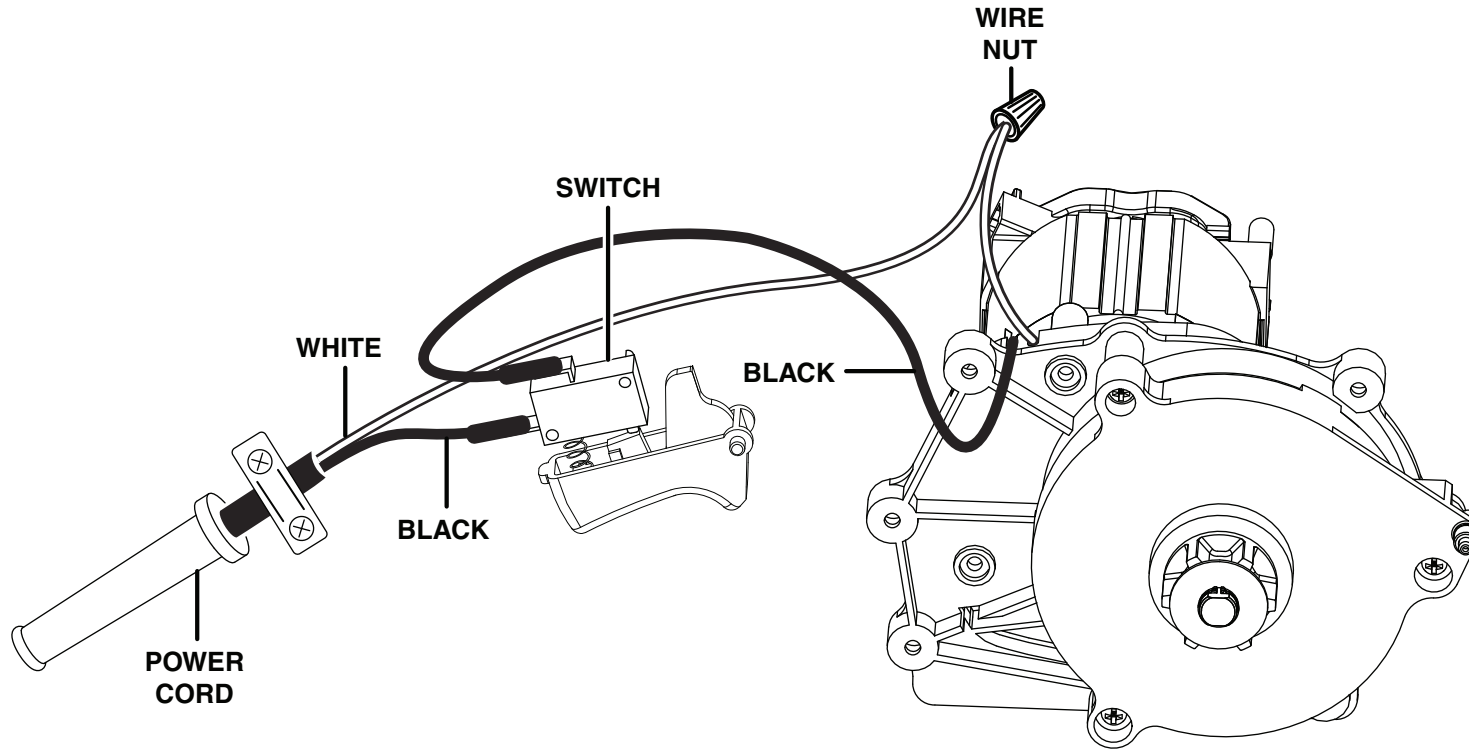
## HOMELITE CHAIN SAW – MODEL NUMBERS UT43100 AND UT43120 – ALL VERSIONS

The model number will be found on a plate attached to the motor housing. Always mention the model number in all correspondence regarding your **CHAIN SAW** or when ordering repair parts.

### PARTS LIST FOR SECTION “A”

| KEY NO. | PART NUMBER | DESCRIPTION                            | QTY | KEY NO. | PART NUMBER | DESCRIPTION               | QTY |
|---------|-------------|--|-----|---------|-------------|---------------------------|-----|
| 1       | 31301154G   | Housing Assembly .....                 | 1   | 19      | 3410302G    | Cord Clamp .....          | 1   |
| 2       | 36401154G   | Power Cord .....                       | 1   | 20      | 34116154G   | Chain Cover .....         | 1   |
| 3       | 36301154G   | Switch .....                           | 1   | 21      | 34120154G   | Front Handle .....        | 1   |
| 4       | 33203154G   | Trigger Spring .....                   | 1   | 22      | 34110154G   | Guard .....               | 1   |
| 5       | 33204154G   | Lock-off Spring .....                  | 1   | 23      | 34117102G   | Oil Tube, Outlet .....    | 1   |
| 6       | 34106154G   | Trigger .....                          | 1   | 24      | 34901154G   | Oil Pump .....            | 1   |
| 7       | 34107154G   | Lock-off Button.....                   | 1   | 25      | 34105154G   | Ring Gear Cover .....     | 1   |
| 8       | 36511154G   | Wire Nut .....                         | 1   | 26      | 33205154G   | Chain Bar Stud .....      | 1   |
| 9       | 31208261G   | Oil Reservoir Assembly.....            | 1   | 27      | 32201154G   | Screw (M4.2 x 45 mm)..... | 1   |
| 10      | 34118154G   | Ring Gear Assembly .....               | 1   | 28      | 34119154G   | Gear Cover.....           | 1   |
| 11      | 34201154G   | Oil Tube, Inlet .....                  | 1   | 29      | 34208154G   | Rubber Pad.....           | 1   |
| 12      | 38202154G   | Hang Tang.....                         | 1   | 30      | 33311154G   | Adjustment Pin .....      | 1   |
| 13      | 38101153G   | Data Label (UT43100/UT43100A).....     | 1   | 31      | 33210154G   | Shaft .....               | 1   |
|         | 38101154AG  | Data Label (UT43120/UT43120A).....     | 1   | 32      | 33320154G   | Washer.....               | 1   |
| 14      | 34101153G   | Motor Cap (UT43100) .....              | 1   | 33      | 34117154G   | Adjustment Gear.....      | 1   |
|         | 34103154G   | Motor Cap (UT43120) .....              | 1   | 34      | 3290408G    | Washer.....               | 3   |
| 15      | 3220313G    | Screw (M4 x 14 mm).....                | 30  | 35      | 32901153G   | Cotter Pin.....           | 1   |
| 16      | 3220348G    | Screw (M3.8 x 14 mm).....              | 1   | 36      | 34121154G   | Adjustment Knob .....     | 1   |
| 17      | 34210154G   | Rubber Pin .....                       | 4   |         | 987000287   | Operator’s Manual         |     |
| 18      | 36101153G   | Motor Assembly (UT43100/UT43100A)..... | 1   |         | 7-28-09     |                           |     |
|         | 36101154G   | Motor Assembly (UT43120/UT43120A)..... | 1   |         | (REV:03)    |                           |     |

HOMELITE CHAIN SAW - MODEL NUMBERS UT43100 AND UT43120 - ALL VERSIONS



WIRING DIAGRAM